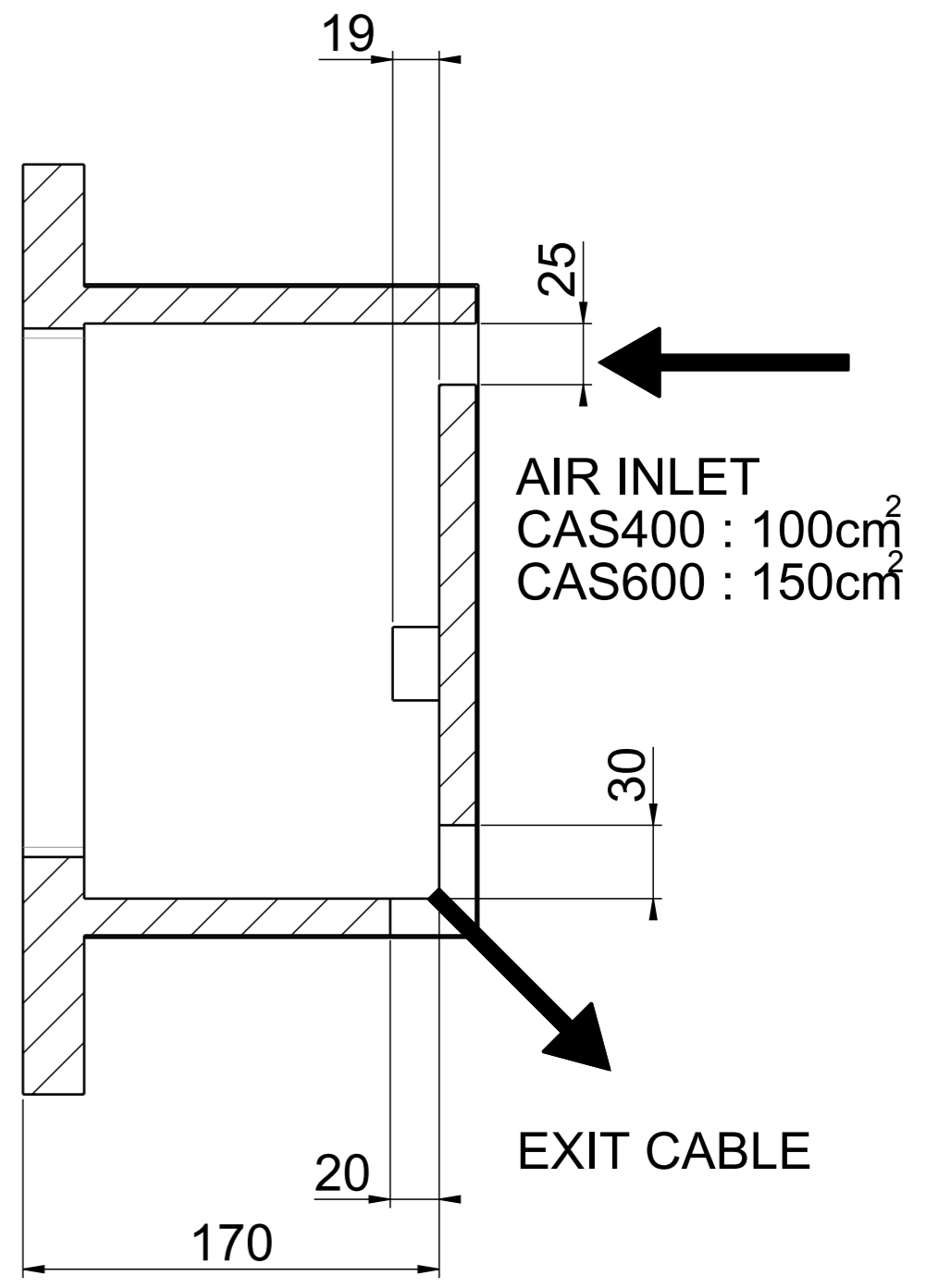
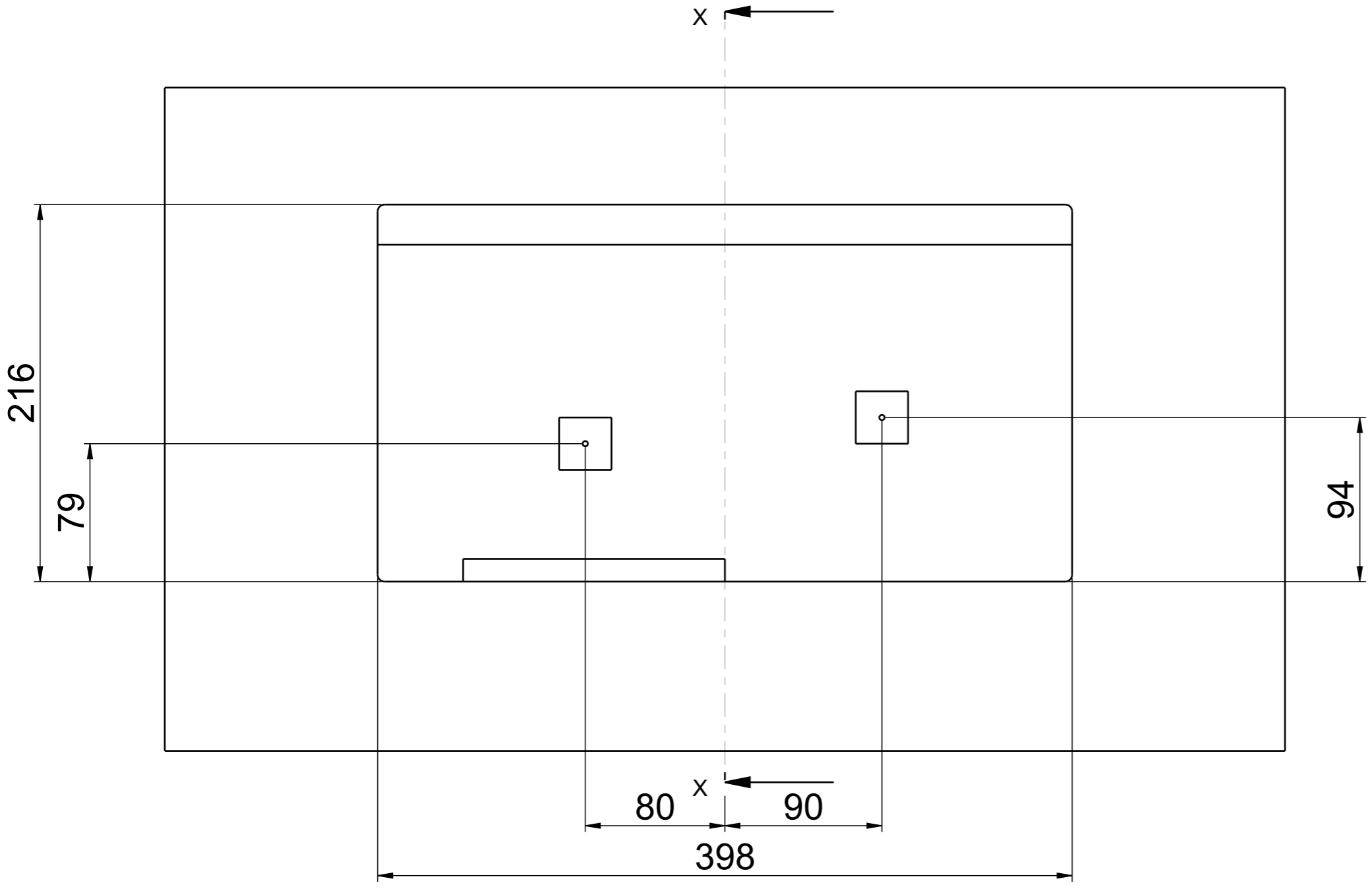


ISSUE	MODIFICATIONS	OCN	APPD	DATE

NOTES	
DO NOT SCALE	THIRD ANGLE PROJECTION
IF IN DOUBT ASK	

<b>GLEN DIMPLEX RESEARCH &amp; DEVELOPMENT</b> <small>Dunleer, Co.Louth, Ireland. Tel: +353(0)41 6872200. Fax: +353(0)41 6851464.</small>				
DRAWN BY	DATE	SCALE	HOLE TOL	GEN TOL
			0 +/-0.05	0 +/-0.4
APPD BY	DATE	DIM IN	ANGLES	0,0 +/-0.2
		mm	+/-0.5°	0,00+/-0.1
MATERIAL	R.o.H.S. compliant			DRG NO
FINISH	All materials must comply with the requirements of European Directive 2011/65/EU on the restriction of the use of certain hazardous substances			

<small>THIS DRAWING IS SUPPLIED IN CONFIDENCE AND THE COPYRIGHT THEREOF IS THE PROPERTY OF GLEN DIMPLEX. IT MUST NOT BE USED BY A THIRD PARTY WITHOUT PRIOR PERMISSION.</small>	
TITLE	PROJECT
NO. OFF :	
A1	Sht of



SECTION X-X

